

Gas Discharge Tube: GF52Y-C Series



SMD 2-Electrode 5 x 5 x 4.2mm Type

■ Features

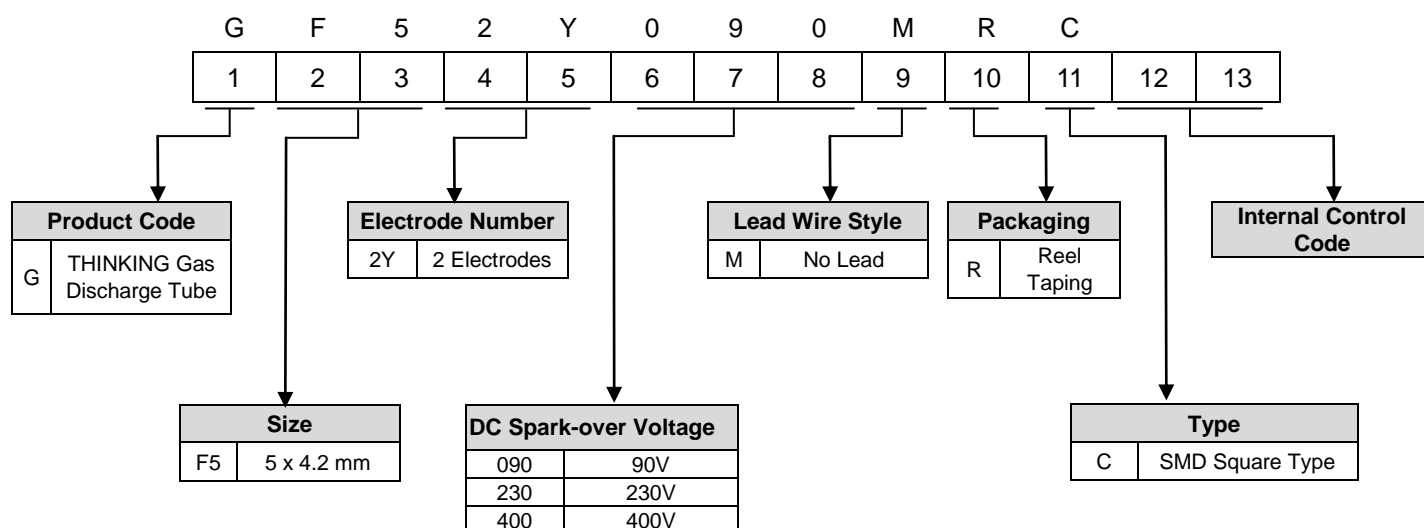
1. RoHS& HF compliant
2. SMD type series
3. DC spark-over voltage: 90~1000V
4. Low capacitance
5. Agency recognition: UL
6. Operating temperature: -40°C~ +125°C
Storage temperature: -40°C~ +125°C



■ Recommended Applications

1. Cable modem
2. xDSL
3. Set-top box
4. TV sets
5. Power supply
6. Consumer electronics

■ Part Number Code



Gas Discharge Tube: GF52Y-C Series



SMD 2-Electrode 5 x 5 x 4.2mm Type

Characteristics

Part No.	DC Spark-over Voltage	Maximum Impulse Breakdown Voltage	Max. Impulse Discharge Current (8/20 μ s)	Normal Alternating Discharge Current	Impulse Life (8/20 μ s)	Minimum Insulation Resistance	Maximum Capacitance (1MHz)	Safety Approvals
	100V/S	1KV/ μ s	10 Times	50Hz,1Sec	100A			
	(V)	(V)	(KA)	(A)	(Time)			
GF52Y090MRC	90 \pm 30%	600	5	5	100	1	0.8	✓
GF52Y150MRC	150 \pm 20%	600						✓
GF52Y230MRC	230 \pm 20%	800						✓
GF52Y300MRC	300 \pm 20%	850						✓
GF52Y350MRC	350 \pm 20%	950						✓
GF52Y400MRC	400 \pm 20%	1000						✓
GF52Y470MRC	470 \pm 20%	1100						✓
GF52Y600MRC	600 \pm 20%	1300						✓
GF52Y800MRC	800 \pm 20%	1500	2.5	2.5				
GF52Y10BMRC	1000 \pm 20%	1900						

Note1: C is for SMD square type

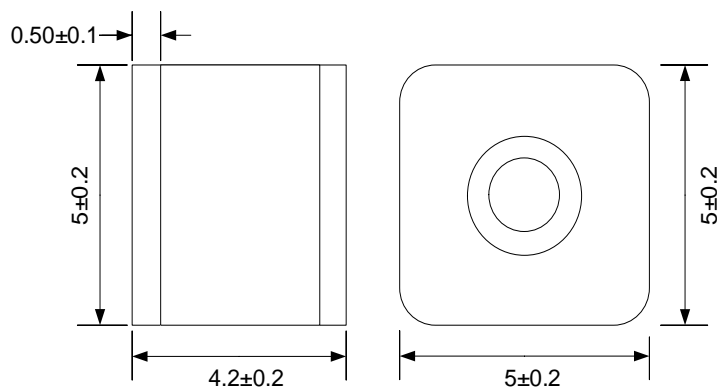
Note2: UL 497B File No: E245070

Note3: Insulation resistance test condition:

DC Spark-over Voltage	DC Measuring Voltage
90V	50V
150-1000V	100V

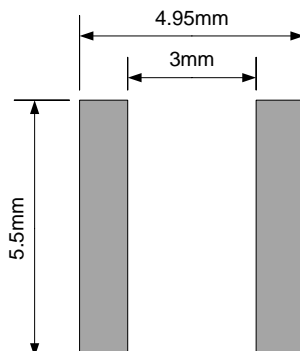
Dimension

(Unit: mm)



Recommended Pad Size

(Unit: mm)



Gas Discharge Tube: GF52Y-C Series



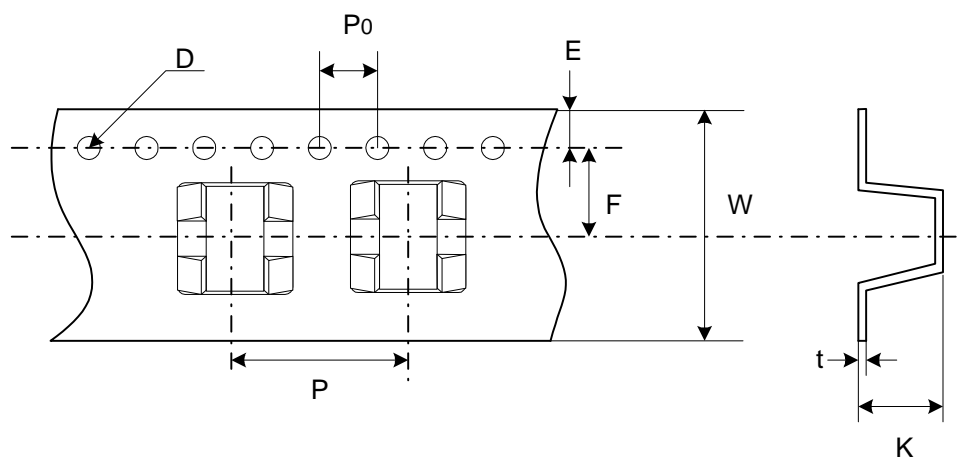
SMD 2-Electrode 5 x 5 x 4.2mm Type

■ Marking

No Marking

■ Packaging

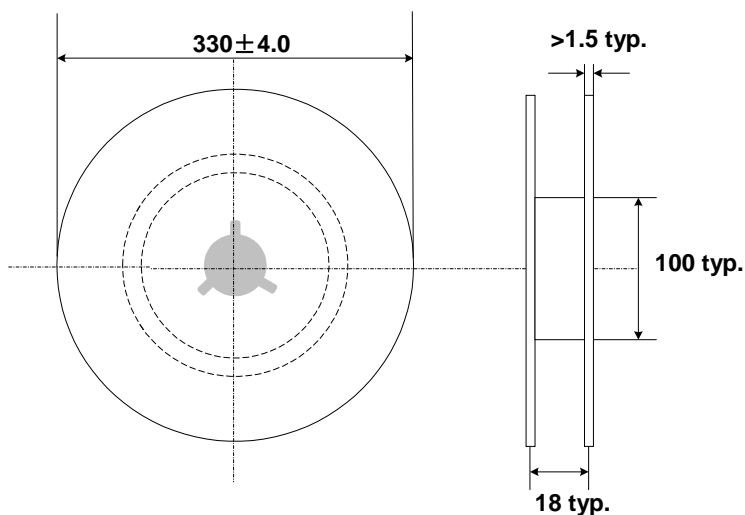
● Taping



Quantity (MPQ): 1000pcs

(Unit: mm)

Item	P	P0	W	F	E	D	K	t
Spec.	12	4.0	16	7.5	1.75	Φ1.5	5.3	0.4
Tolerance	±0.1	±0.1	+0.3/-0.1	±0.1	±0.1	±0.1	±0.1	±0.05



■ Warehouse Storage Conditions of Product

● Storage Conditions:

1. Storage Temperature: -10°C ~ +40°C
2. Relative Humidity: ≤75%RH
3. Keep away from corrosive atmosphere and sunlight.

● Period of Storage: 1 year